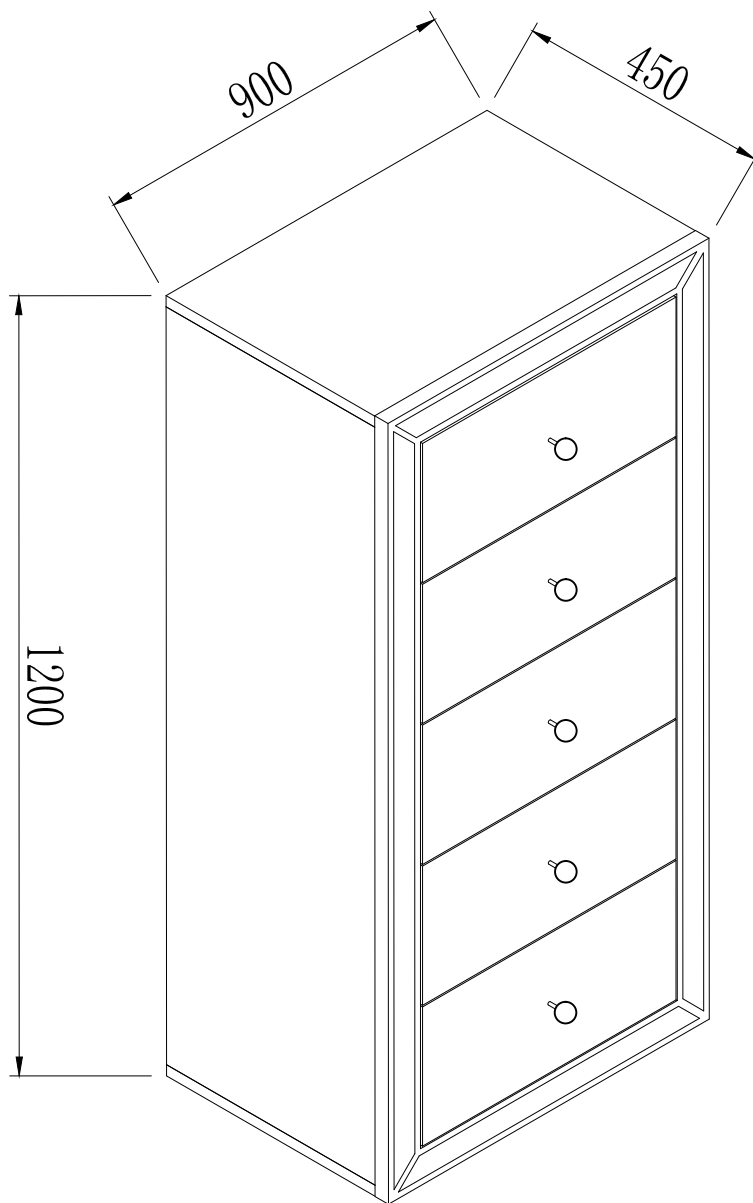




ASSEMBLY INSTRUCTION

LARISA TALL CHEST

ITEM CODE 82522



Imported by Amart Furniture Pty Ltd. Qld. Brisbane Australia.

For any assistance with assembly or for missing parts please phone Amart Furniture Customer Service Free call 1800 351 084

82522

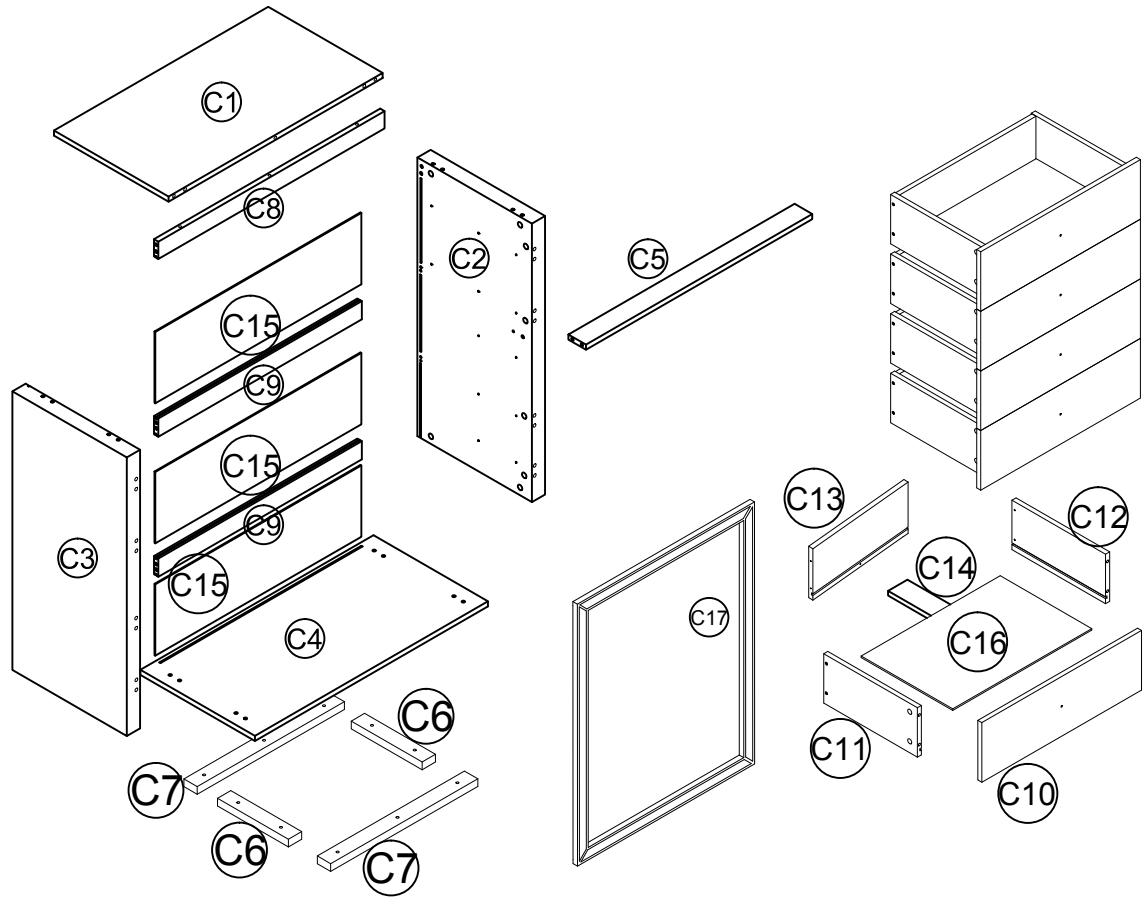
PRE-ASSEMBLY PREPARATION

Before you start:

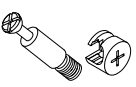
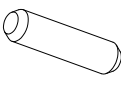
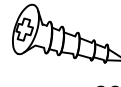
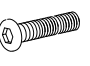

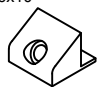
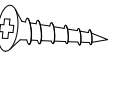







1. Choose a clean, level, spacious assembly area. Avoid hard surfaces that may damage the product
2. Take care when lifting. Product should be assembled as near as possible to the point of use
3. Ensure that you have all required contents for complete assembly.
4. Always read the assembly instructions carefully before beginning assembly.
5. Keep all hardware parts and packaging out of reach of small children.
6. Do not over tighten the screws and bolts as this may damage the threads

 <p>ALLOW 30 MINUTES</p>	 <p>2 PEOPLE REQUIRED</p>	
⚠ WARNING		
		<p>Children have died from furniture tipover.</p> <ul style="list-style-type: none">• ALWAYS secure it with an anchor device.• NEVER allow children to stand, climb or hang on drawers, doors, or shelves.• NEVER open more than one drawer at a time.• Place heavy items down low <p>NEVER put a TV on this furniture </p> <p>This is a permanent label. Do not remove!</p>

PARTS LIST



C1	Top Panel	C10	Drawer Front Panel
C2	Right Side Panel	C11	Drawer Left Side Panel
C3	Left Side Panel	C12	Drawer Right Side Panel
C4	Bottom Panel	C13	Drawer Back Panel
C5	Support Panel	C14	Support Panel
C6	Leg	C15	Back Panel
C7	Leg	C16	Drawer Bottom Panel
C8	Back Rail	C17	Front Rail
C9	Back Rail		

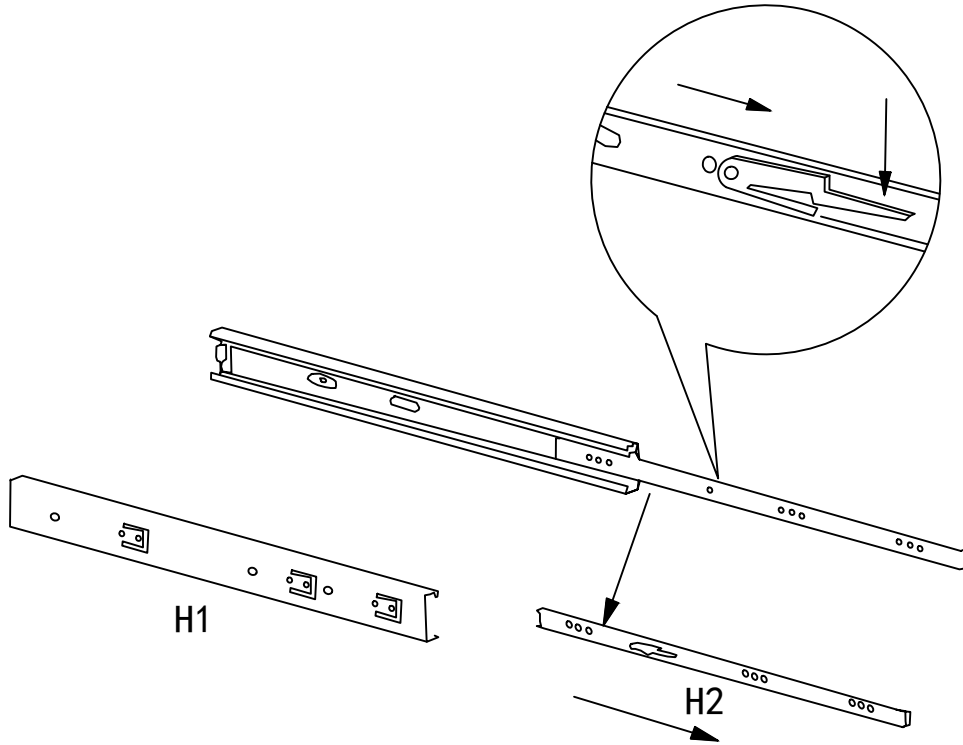
<input type="checkbox"/> A. Cam lock and Cam pin Ø15X35  62PCS	<input type="checkbox"/> B. Dowel Ø8x30  18PCS	<input type="checkbox"/> C. Screw Ø3.5x12  60PCS	<input type="checkbox"/> D. Bolt Ø6x35  10PCS	<input type="checkbox"/> E. Bolt M4x20  5PCS	<input type="checkbox"/> F. Connector 18x16x10  12PCS	<input type="checkbox"/> G. Screw Ø3x18  12PCS
<input type="checkbox"/> H. Runner 250mm  10PCS	<input type="checkbox"/> I. GLUE  1PCE	<input type="checkbox"/> J. Hex key M4  1PCE	<input type="checkbox"/> K. Screw Ø3.5x30  30PCE	<input type="checkbox"/> L. Protect Foam Ø35X5mm  6PCS	<input type="checkbox"/> M. Safety Bracket Kit  2PCS	<input type="checkbox"/> N. Handle  5PCS

82522

STEP 1:

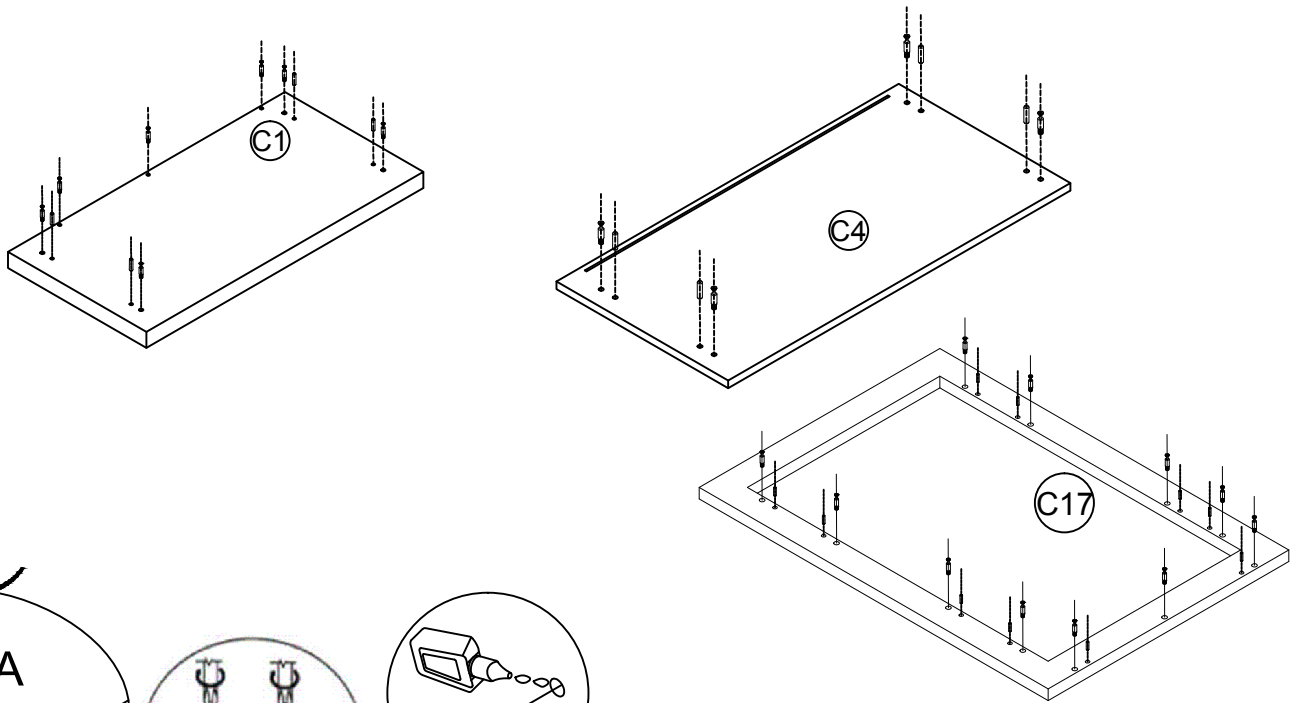
Runner slide separately ($H=H1+H2$)

Carefully pull out the runner slide (H2) and press plastic clip to fully separate runner slide as diagram shown



STEP 2:

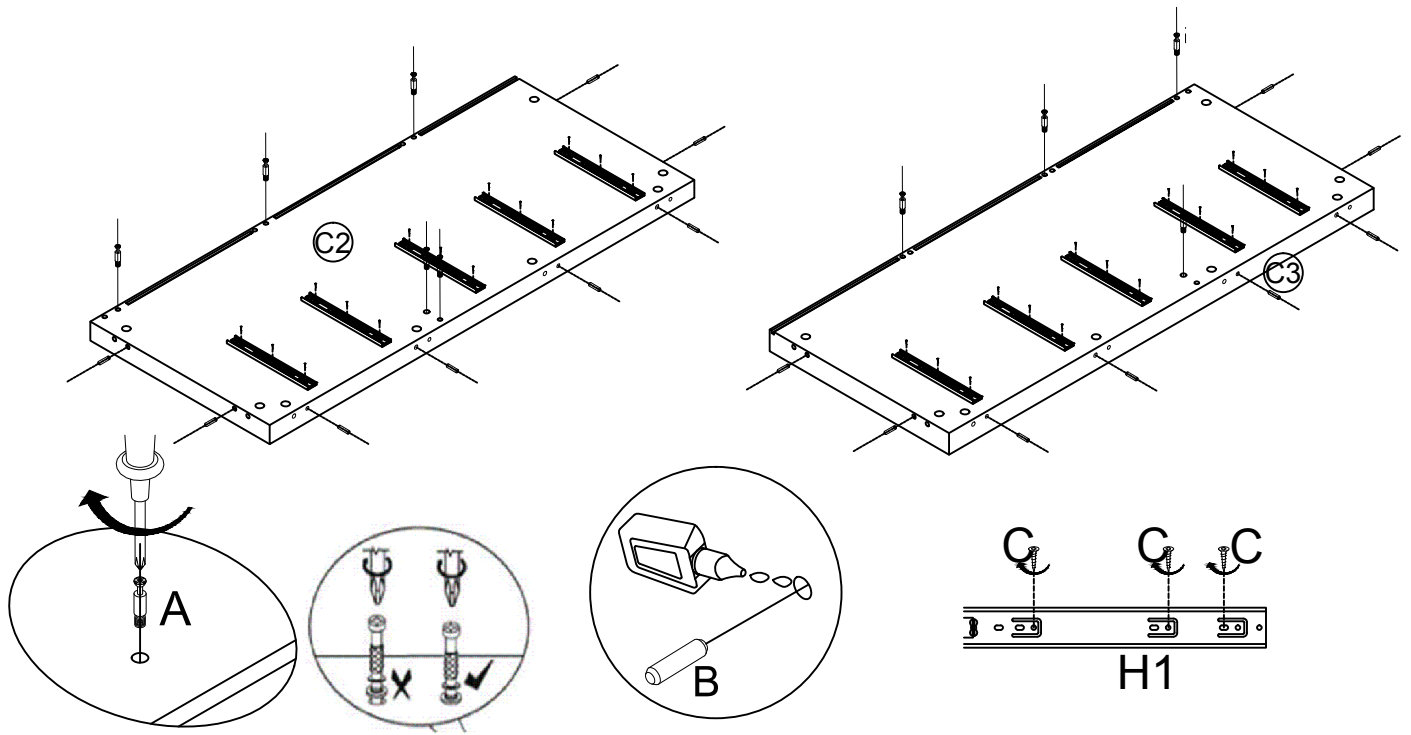
Attach Cam Pin(A) and Dowel(B) to Panel(C1&C4&C17).



82522

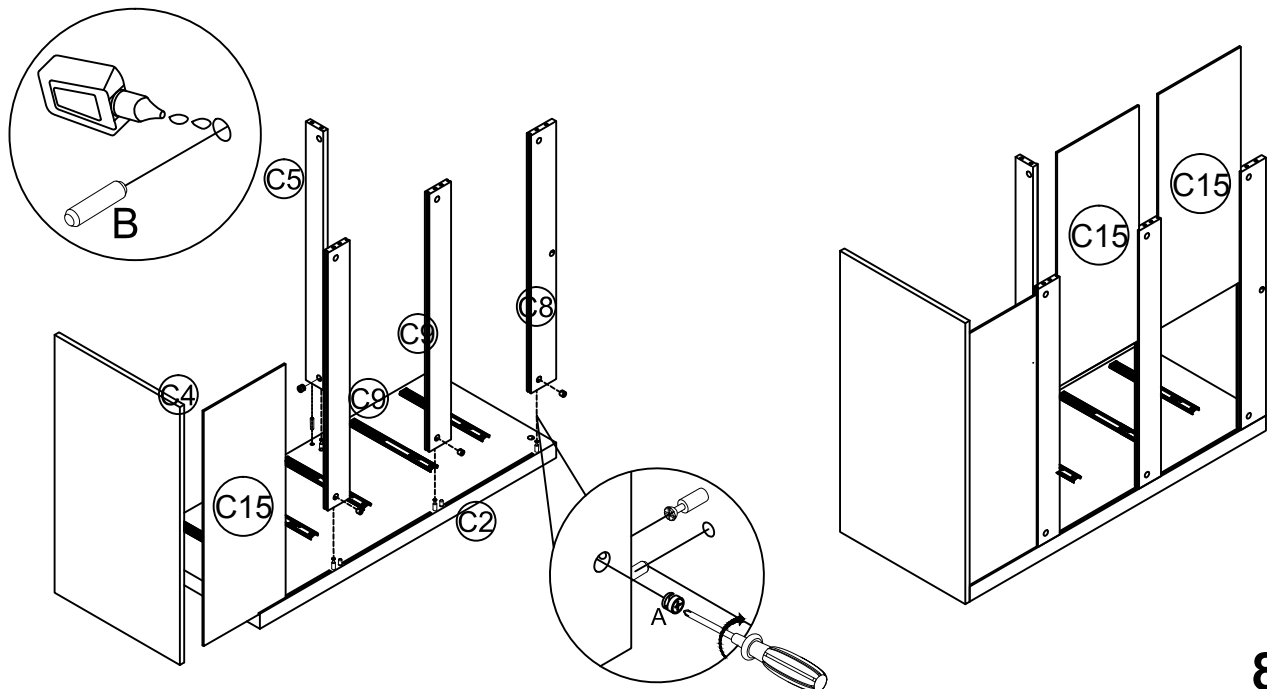
STEP 3:

Attach Cam Pin(A) and Dowel(B) to Panel(C2&C3). Attach Runner(H1) to Panel(C2&C3) with Screw(C).



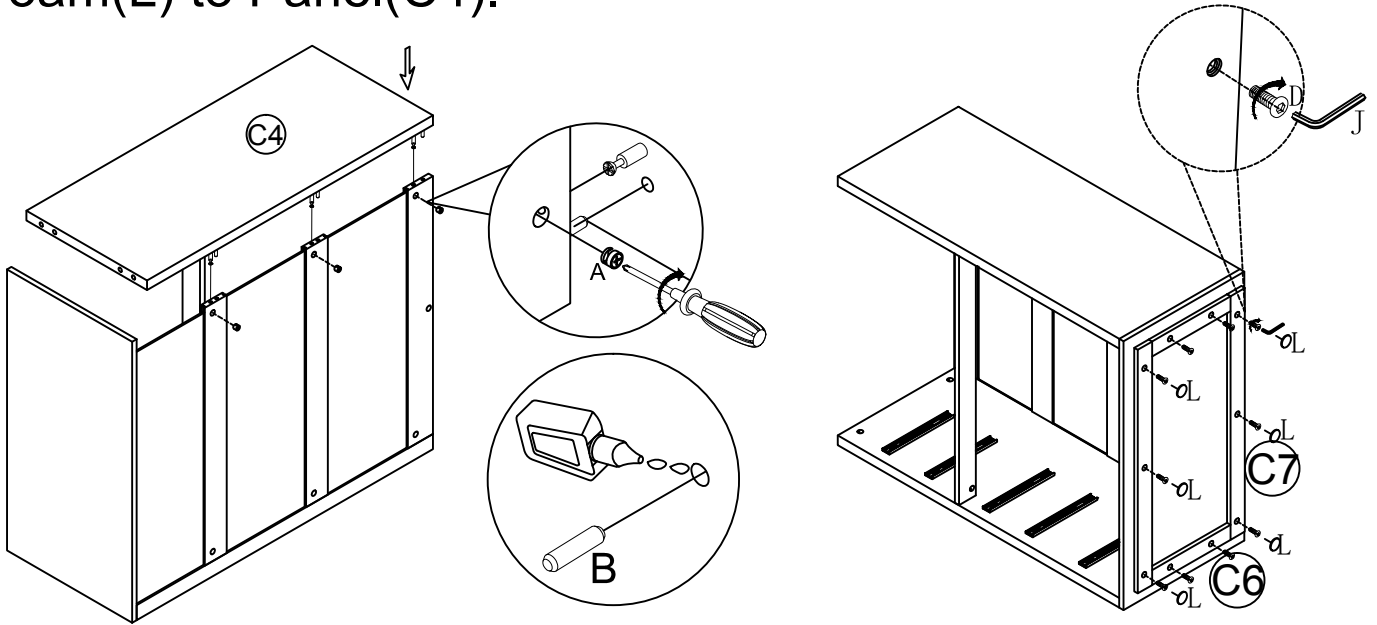
STEP 4:

Attach Panel(C5&C8&C9) to Panel(C2). Insert Panel(C15) to groove. Attach Panel(C4) to Panel(C2). And turn Cam lock(A) to lock into the head of Cam Pin(A).



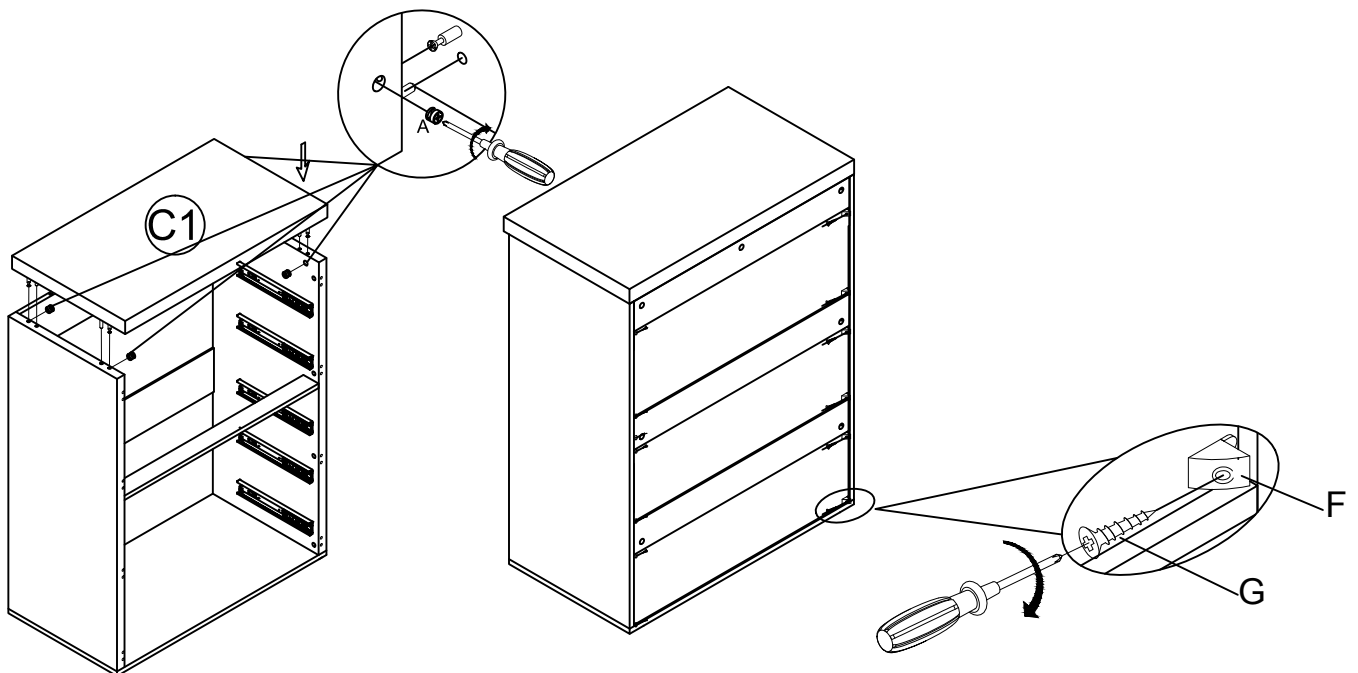
STEP 5:

Attach Panel(C4) to Panel(C1&C8&C9). And turn Cam lock(A) to lock into the head of Cam Pin(A). Use Hex Key(J) to attach Leg(C6&C7) to Panel(C4) with Bolt(D). Attach Protect Foam(L) to Panel(C4).



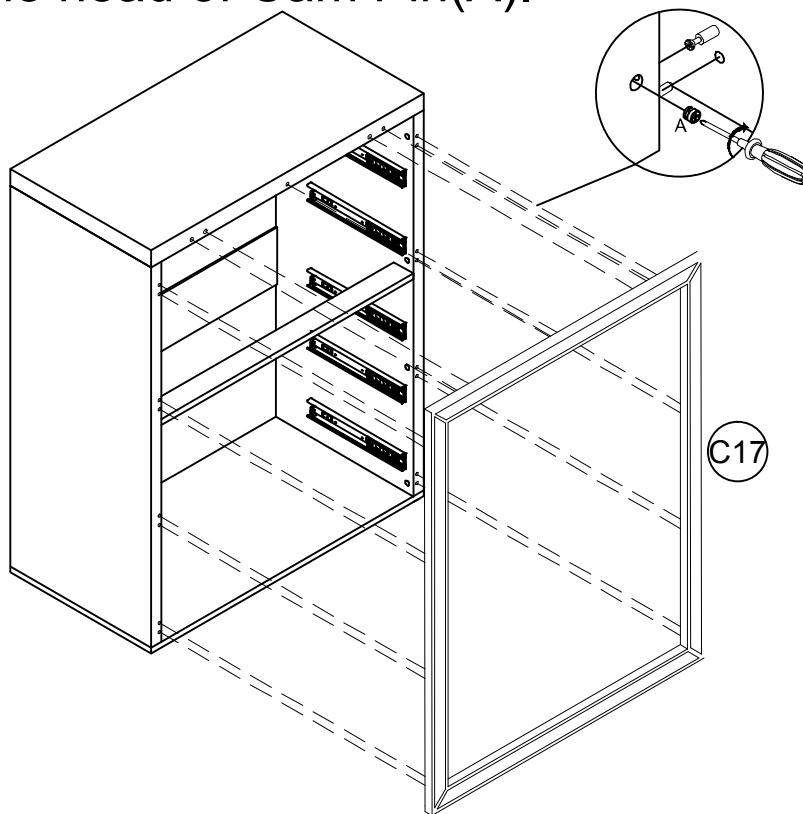
STEP 6:

Attach Panel(C1) to Panel(C2&C3). And turn Cam lock(A) to lock into the head of Cam Pin(A).



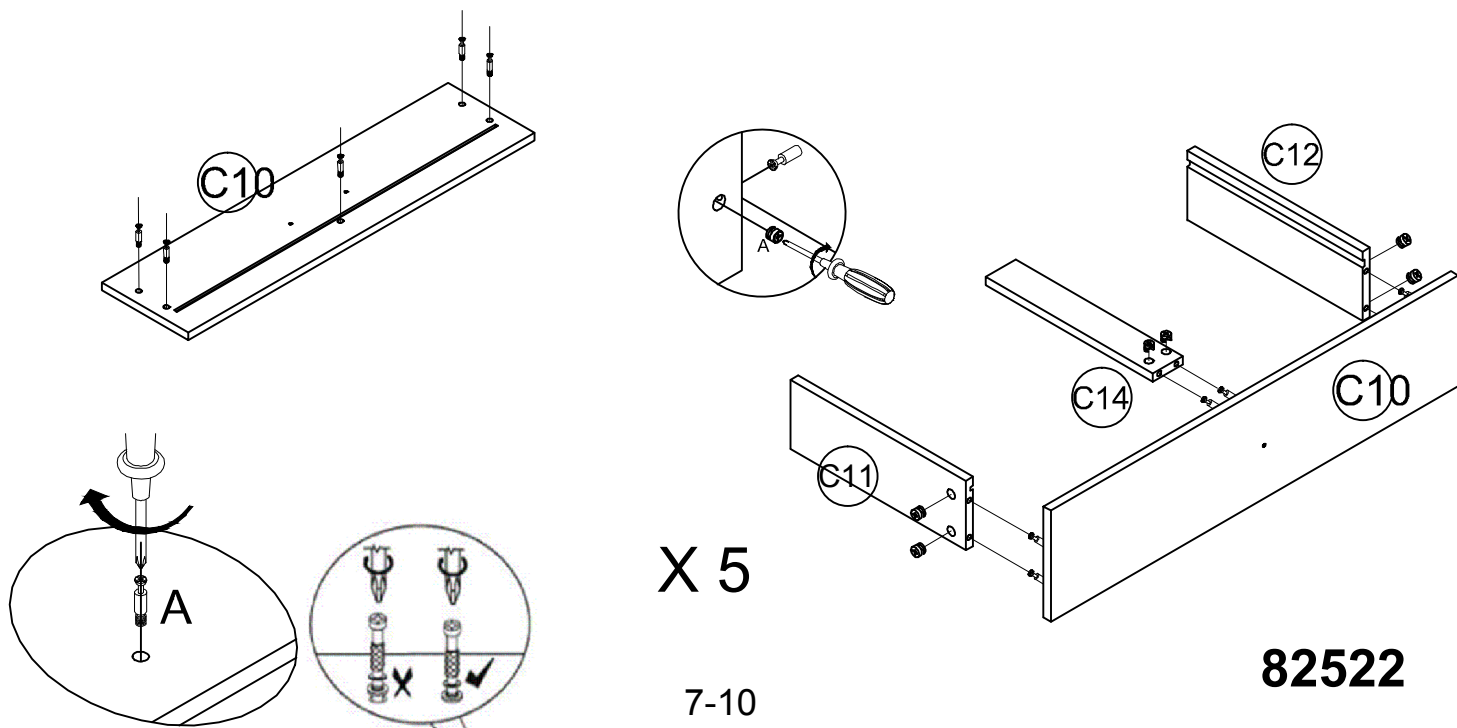
STEP 7:

Attach Panel(C17) to Panel(C1&C3&C2). And turn Cam lock(A) to lock into the head of Cam Pin(A).



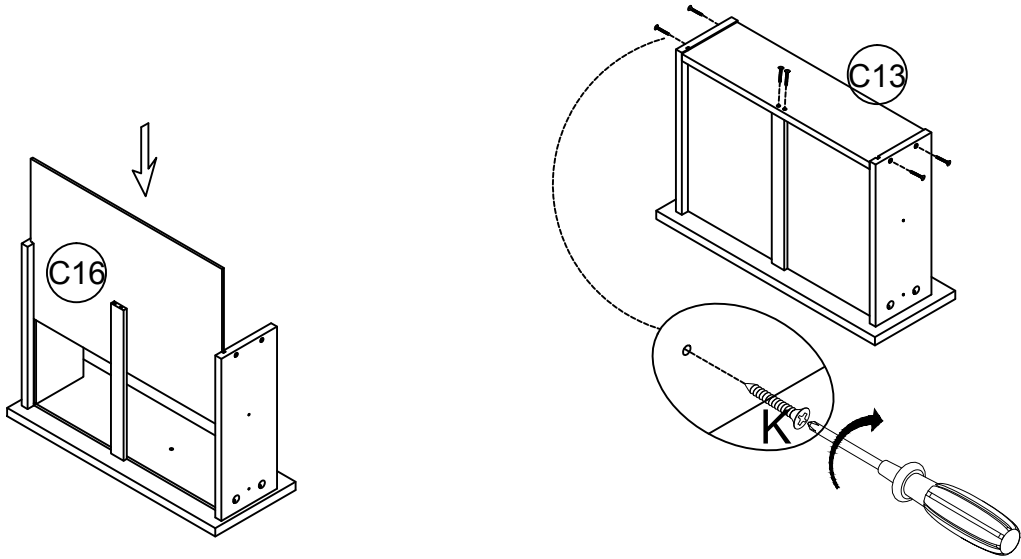
STEP 8:

Attach Cam Pin(A) to Panel(C10). Attach Panel(C11&C12&C14) to Panel(C10). And turn Cam lock(A) to lock into the head of Cam Pin(A).



STEP 9:

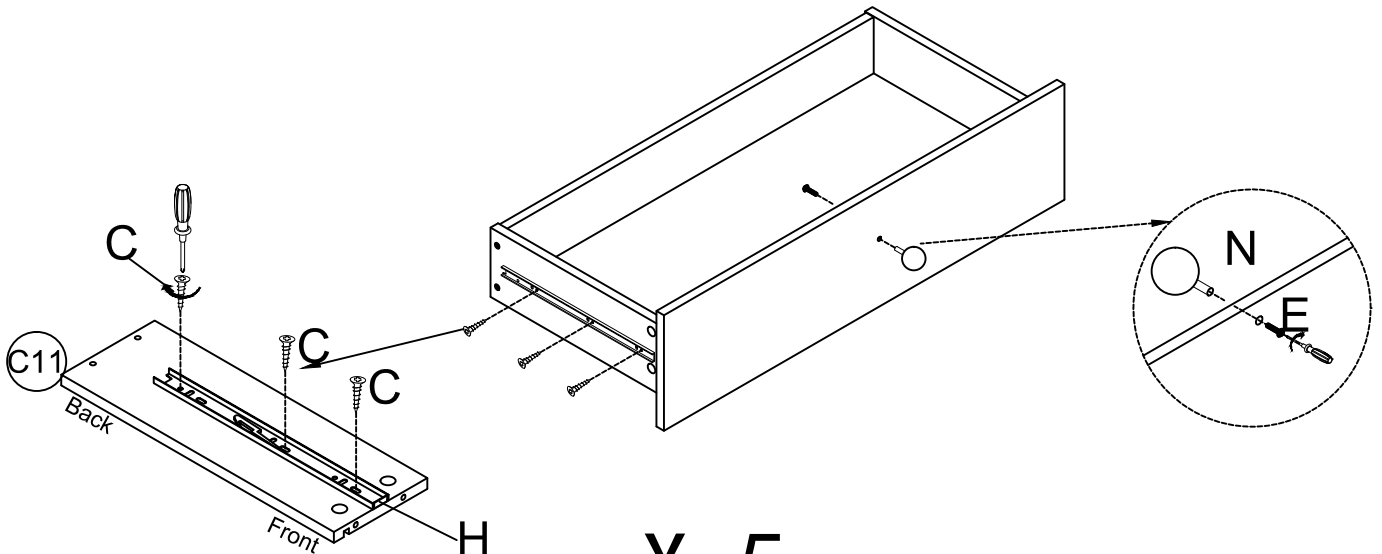
Insert Panel(C16) to groove. Attach Panel(C13) to Panel(C11&C12) with Screw(K).



X 5

STEP 10:

Attach Runner(H2) to Panel(C11&C12) with Screw(C). Attach Handle(N) to Panel(C10) with Bolt(E).

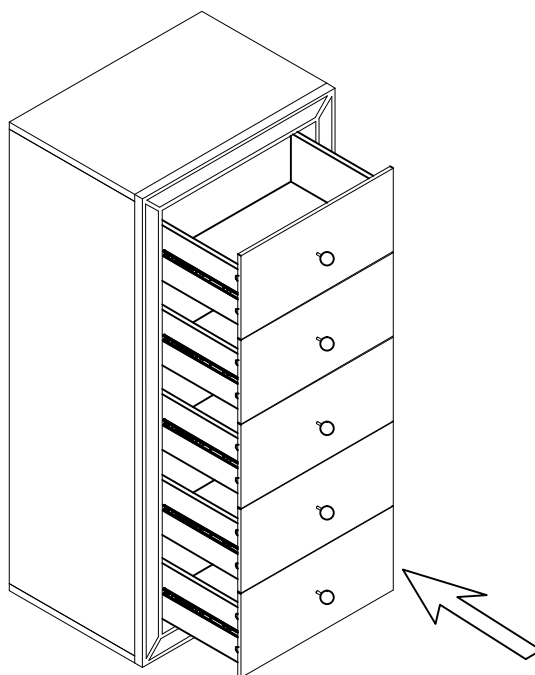


X 5

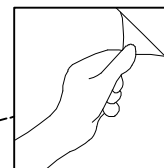
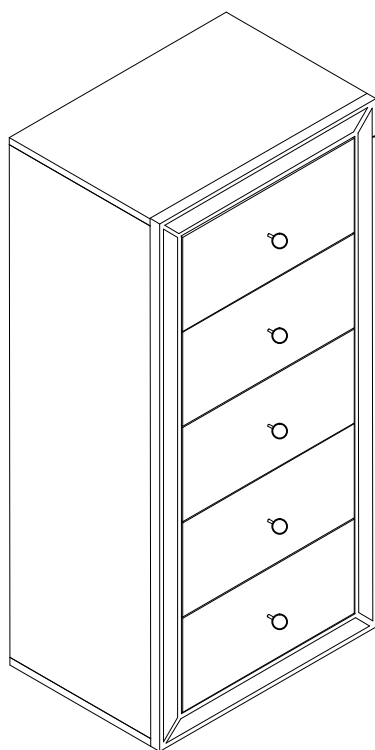
82522

STEP 11:

Insert Drawers into body. PLEASE INSERT THE DRAWER WITH TIP KIT LABEL INTO TOP DRAWER SLOT



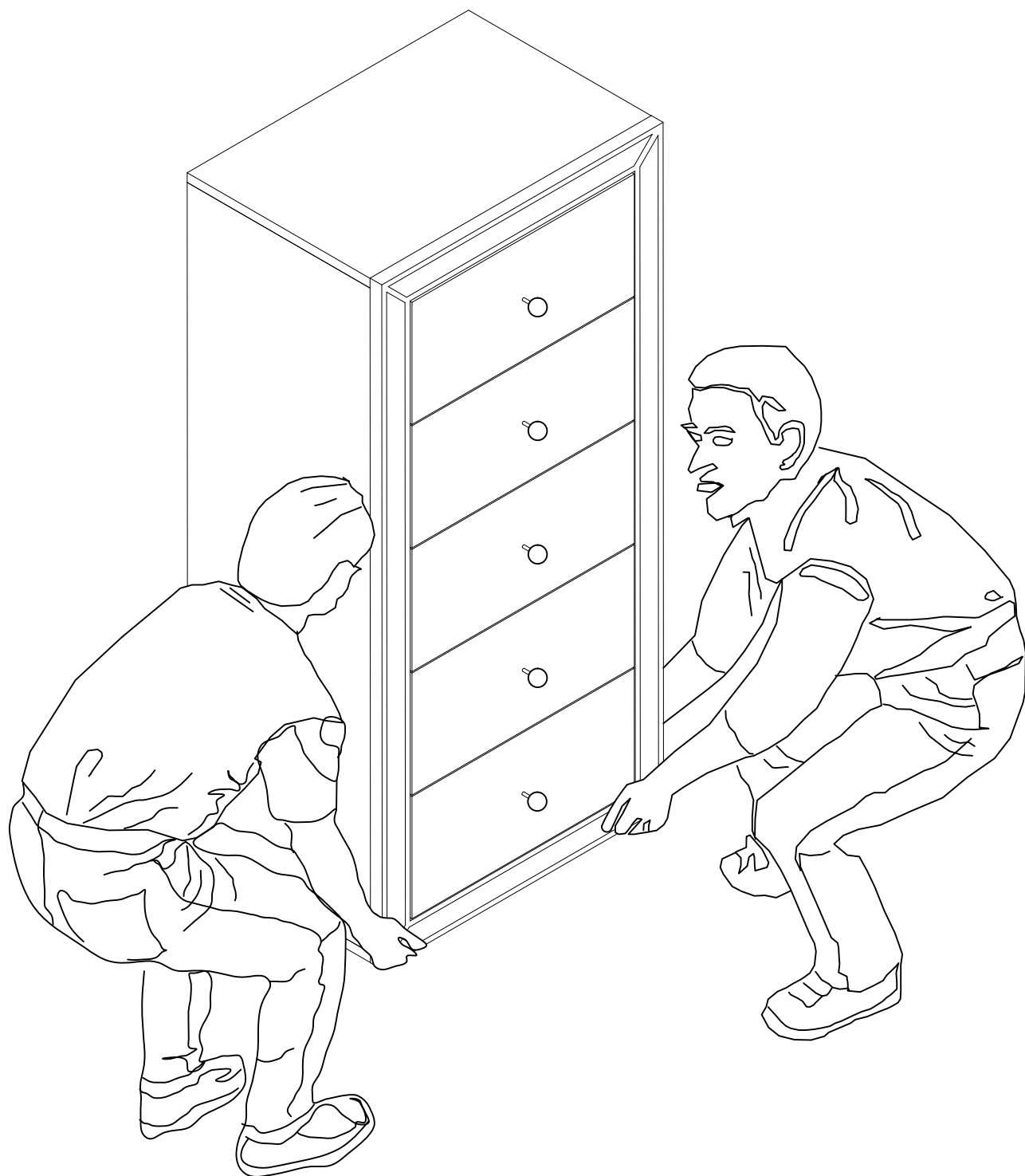
Assembly is complete



PLEASE PEEL OFF THE PROTECTIVE LAYER THAT COVERED THE MIRROR PANEL AROUND PANEL C17.

Note -

Do not drag the furniture as this may cause damage to the legs. Instead, use 2 persons to lift carefully from either end.



SAFETY BRACKETS INSTRUCTIONS

This furniture poses a tipping risk and as such must be secured to a wall using the provided tipping kit.

1. Attach one Mounting Plate to the wall with the Large Screws. Make sure to attach the Mounting Plate into a stud. If mounting into brick or masonry you will need to acquire wall anchors. Please enquire with your local hardware supplier for appropriate fixings.
2. Attach the second Mounting Plate to the furniture frame with the Short Screws.
3. Move the furniture to its final position. Thread a Wall Strap through the both Mounting Plates and tighten until snug. Do not over tighten.
4. Make sure that the Mounting Plates are firmly attached to the wall and furniture and that the Wall Strap is snug.

HARDWARE



Mounting Plate x 2



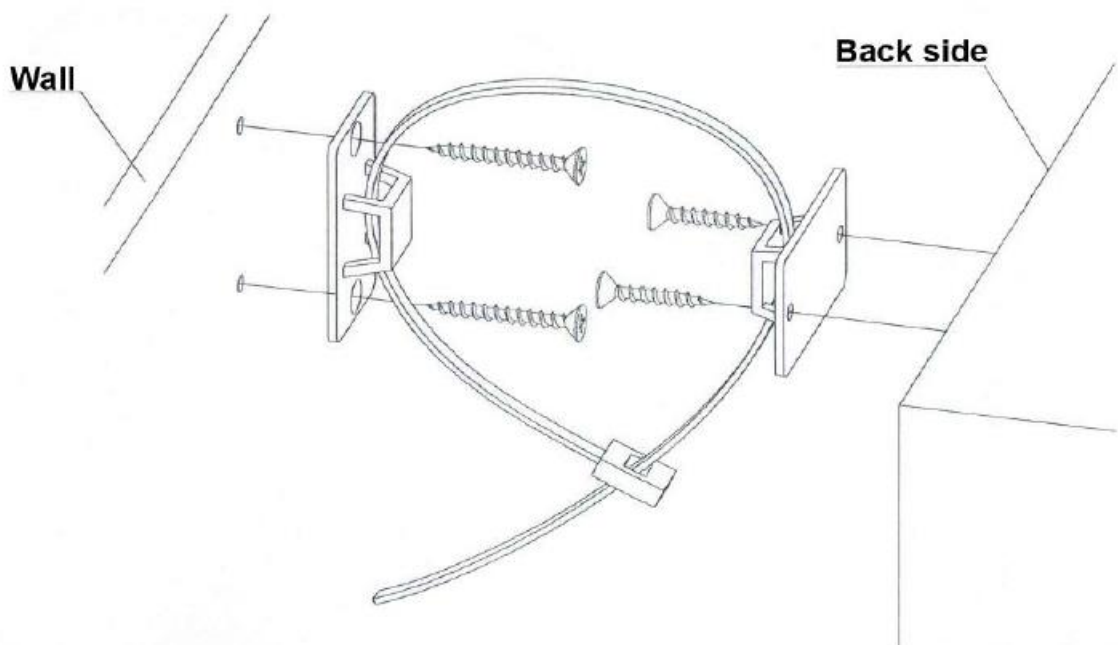
Wall Strap x 1



Large Screw x2



Small Screw x2



IMPORTANT: CARE GUIDE FOR YOUR HI-GLOSS FURNITURE

Congratulations! You have just purchased a quality product from Amart Furniture, Australia's largest discount furniture retail store. Please read on for important information regarding your purchase ...

Hi-gloss lacquered furniture is more sensitive to marks and scratching than some other furniture products. It is important to exercise caution and care to maximise the life and beauty of this product.

Following the below simple guidelines when using your hi-gloss product will protect your investment for years to come:

- Dust frequently with a clean damp, lint-free cloth. This will help remove abrasive build up which can damage a finish over time.
- Avoid using chemicals or solvents when cleaning the product.
- Do not place hot objects on any furniture surface. Always use a hot plate or placemat. Lacquer finishes provide added scratch and heat resistance to our furniture, but they can still be damaged without proper care.
- Avoid exposing your furniture to strong sunlight. Prolonged exposure to direct sunlight can fade the finish of your furniture.
- Do not expose your furniture to any liquids. Avoid allowing water to sit on your furniture. Alcohol, nail polish and perfume are particularly harmful as they will dissolve the lacquer finish on contact.
- Do not allow plastic to come in direct contact with your furniture. Chemicals in the plastic of some placemats etc may soften and mark the finish if left in contact with the furniture for a period of time.
- Avoid placing sharp or rough objects on the surface of your furniture. These may scratch the surface of the product.
- When moving your furniture, do not drag it across the floor. This may damage the product. Instead use two people to lift carefully with caution from either end.

